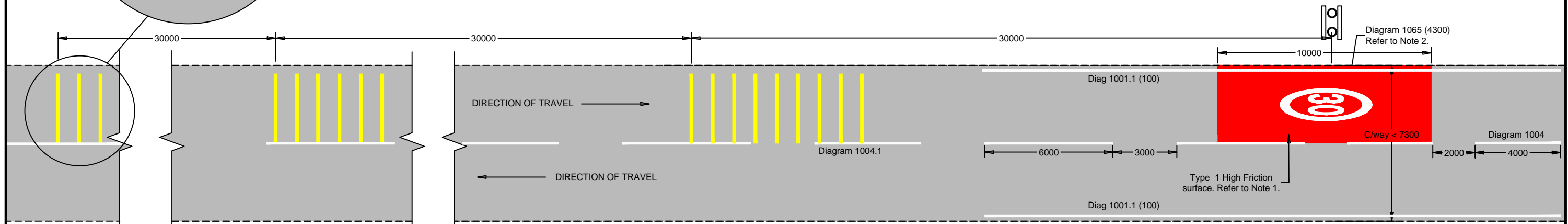
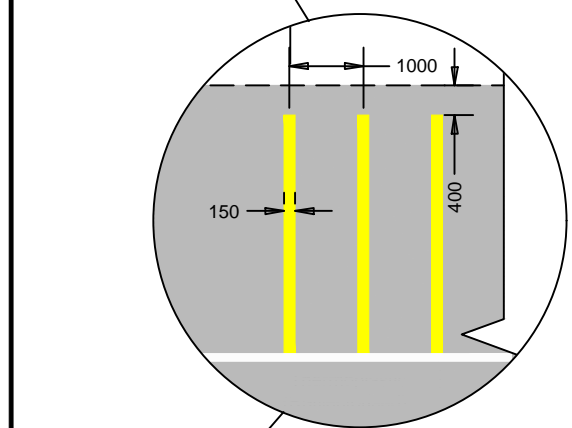


**GATEWAY TYPE A - ROAD WIDTH 7.30M**



**GATEWAY TYPE B - ROAD WIDTH < 7.30M**

**NOTES**

- High Friction surface to be Type 1 hot applied Rosin Ester (thermoplastic) to Clause MCHW Vol 1 SHW Clause 924. 'Red' 1-3mm calcined bauxite N.S aggregate. Min SRV = 65, PSV 70+. Installers must be HAPAS certified. Installation to RSTA / ADEPT code of practice for High Friction Surfacing 2nd edition 2017
- 30 / 40 Carriageway roundels to diagram 1065 will typically be 4300mm. On higher speed roads i.e. Dual carriageways a 7500mm roundel should be used.
- Refer to Chapter 5 of 'The Traffic Signs Manual - Road Markings 2018' Table 2-7 for taper detail.
- Traffic signs and road markings shall comply with 'The Traffic Signs Regulations and General Directions 2016'.
- All road markings shall meet the requirements specified in Chapter 5 of the 'The Traffic Signs Manual' Road Markings 2018'.
- All road markings shall be formed in thermoplastic material complying with BS EN1436: Class A.
- Existing road markings to be removed to suit proposed layout.
- Use of this drawing does not absolve the client from his responsibilities under 'The Health & Safety: The Construction (Design & Management) Regulations 2015'

A	AMEND DISTANCE	MJS	GTR	01/06/21
Rev	Revision details	Chkd	Appd	Date
Drawn: MJR		DRAWING STATUS		
Checked: DMT				
Approved: GTR		ISSUE		
Date: 23/03/19				
File Ref: L:/trafficengineeringteam/				

Client: Wiltshire Council  
 Consultant: ATKINS  
 Atkins Highways & Transportation  
 3rd Floor  
 County Gate  
 County Way  
 Trowbridge  
 Wiltshire  
 BA14 8JN

Project Name: WILTSHIRE COUNCIL - HIGHWAYS & TRANSPORT  
 STANDARD HIGHWAY CONSTRUCTION DETAILS  
 Drawing Title: SERIES 1200 TRAFFIC SIGNS & ROAD MARKINGS  
 SPEED LIMIT GATEWAY OPTIONS

**APPROVED**  
CONTRACTOR TO ENSURE LATEST DETAILS ARE USED

Original Sheet Size : A3  
 Scale : NOT TO SCALE    Dimensions : mm  
 Drawing No. WC-HCD-1200-D003    Rev: A